

READ THIS GUIDE BEFORE RIDING YOUR EBIKE

Hikobike

ENDURO 48V

USER GUIDE

CONTENTS

GENERAL PRECAUTIONS BEFORE RIDING	3
SPECIFICATIONS	3
BATTERY	4
BATTERY CHARGING	4
BATTERY STORAGE	5
INSTALLING AND REMOVING THE BATTERY	6
BATTERY WARNINGS	6
LED DISPLAY C600	7
CONTROL PANEL	8
QUICK START	9
NORMAL OPERATION	10
ON/OFF	10
POWER ASSISTS PAS SELECTION	10
HEAD LIGHT / REAR LIGHT AND BACKLIGHT DISPLAY INDICATOR	10
CURRENT DISPLAY	11
SET OPERATION (RIDING MODE,TRIP RESET,MAX SPEED, KM/H OR MPH)	12
BATTERY CAPACITY INDICATOR	13
BATTERY VOLTAGE	13
ERROR CODES	14
MAINTENANCE AND STORAGE	14
WARRANTY	15
CONTACT	15

GENERAL PRECAUTIONS BEFORE RIDING

Always wear a safety bicycle helmet when riding a HIKO electric bike

Observe the local rules for bicycles and ebikes

Check Tyre Pressure (35-60psi), brakes, fasteners, and locking systems before commencing on a ride

HIKO Bikes are designed for comfort for use on smooth gravel, dirt or paved surfaces. They are ideal for maintained walking and biking tracks, but not for downhill or single track mountain bike type use. HIKO bikes are not designed for jumps or extreme riding conditions.

SPECIFICATIONS

<i>Model</i>	<i>ENDURO</i>
<i>Weight without battery</i>	Enduro 21Kgs
<i>Maximum assist speed</i>	35km/hr
<i>Maximum load carrying</i>	130Kg
<i>Motor</i>	300Watt rear motor
<i>Display</i>	C600
<i>Front Fork</i>	Suntour XCR
<i>Brakes</i>	Tektro 180mm Hydraulic Disc
<i>Derailleur</i>	Shimano 8spd or 10 spd
<i>Tires</i>	Maxxis Ardent 27.5 x 2.25
<i>Sensor</i>	Torque
<i>Throttle</i>	Yes
<i>Battery</i>	
<i>LG 13Ah with BMS</i>	3.9Kgs
<i>Samsung 17.5Ah with BMS</i>	4.3kgs

BATTERY

HIKO bikes come standard with a 13Ah 48V LG Li-Ion Battery with a built in Battery Management system (BMS). The BMS is important component as it allows the charger to charge the Samsung Cells evenly which will maximise the life expectancy and storage power of the battery.

HIKO bikes can be upgraded with a 17.5Ah Samsung BMS equipped.

Your standard charger for the 13Ah battery can charge the 17.5Ah battery also.

Contact your dealer to purchase a larger battery.

BATTERY CHARGING

IMPORTANT: Use a Surge Protector with your battery charger to protect against spikes in household voltage.

Charging time: 3 -6 hours for 100% Charge

Your Battery has and battery level indicator with 4 LED light showing the charge state. Press the Button on top of the Battery to check battery level.

Only charge the battery in temperatures between 10 – 30 deg C, in a dry and safe place. Do not cover the battery during charging. If the battery is extremely cold, warm the battery in a warm ambient room for a few hours before charging it.

To charge your battery follow these steps:

1. Plug the Chargers 3 pin plug into the Wall Socket / Surge Protector (which is OFF)
2. Plug the battery into the Charger.
3. Then Turn ON the Wall Socket/ Surge Protector to turn ON the Charger.
4. The Charger will show LED lights: RED – Battery is being Charged. Green the battery is charged.
5. Once charged, turn OFF or unplug the Charger from the Wall Socket. The battery can remain plugged into the Charger if the Charger is turned OFF or unplugged from the Wall Socket.

Do not leave the Charger ON connected to the battery for more than 24hrs. Always turn off the Charger at the Wall Socket when the battery has completed charging.

Never leave your battery fully discharged after a large ride. Charge the battery as soon as possible with the next 12hrs.

BATTERY STORAGE

Store your battery at dry temperatures between 15-25 deg C. Your battery likes the same temperature you do.

When storing the battery for periods longer than 2 months, Fully charge the battery and remove the charger from the wall socket. The Battery has a 4 bar Charge indicator on the battery pack. Push the Button to see how many bars light up. Try to keep the battery with at least 2 bars showing.

The Li-Ion Battery will slowly lose its charge over long storage intervals.

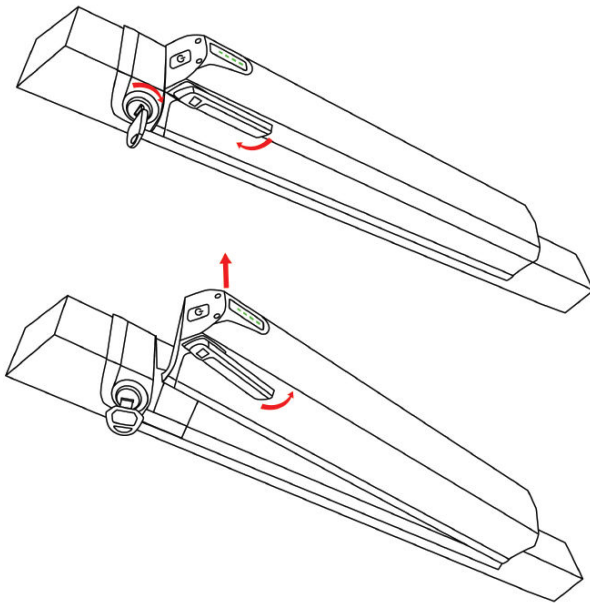
It is important to check and charge the battery at least every 3 months, and keep the battery charged between 20% and 100% level.

Allowing the battery to fully discharge during long storage can harm your battery.

Never leave your battery fully discharged as it may cause permanent damage to the battery

INSTALLING AND REMOVING THE BATTERY

To remove the battery from the frame, unlock the battery using the key, at the same time using the battery lift out handle, pull the battery up and out.



To install the battery, insert the battery into the bottom of the battery frame, then push down on the top the battery to locate the locking pin.

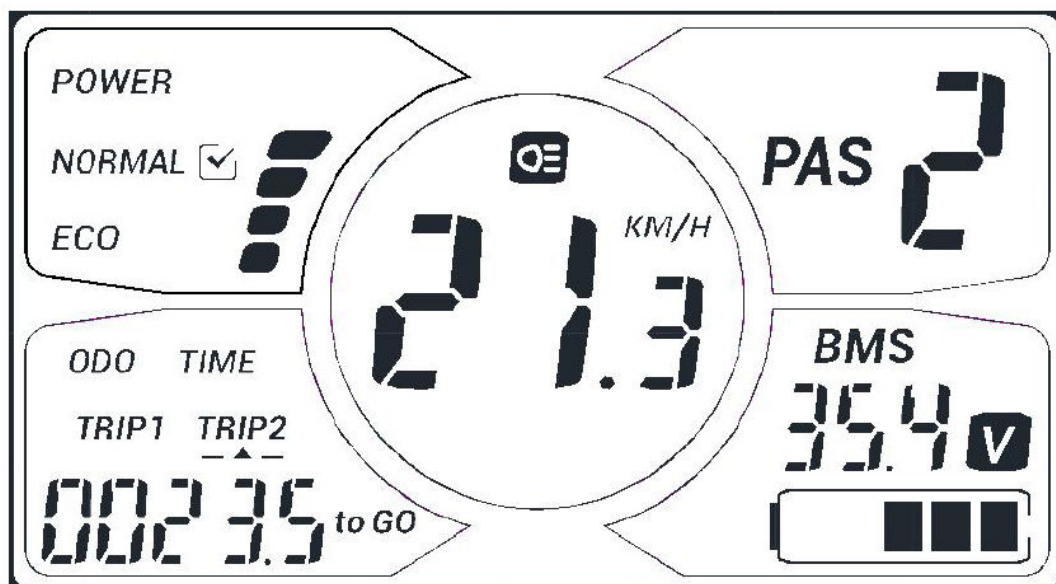
BATTERY WARNINGS

The Li-Ion battery is one of the major components on the HIKO ebike and great effort should be taken to look after it.

- Always handle with great care. No not drop or allow it to be struck.
- Do not take the battery casing apart or tamper with the battery.
- Keep it away from Children.
- Keep it away from temperatures above 50 deg C
- Never allow a connection between the electrical contacts
- If you suspect the battery is damaged or not working suitable contact your dealer.

The Dealer can have the battery checked and diagnosed using the built-in battery management system.

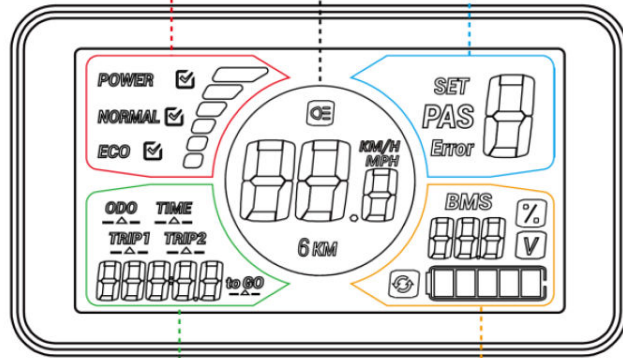
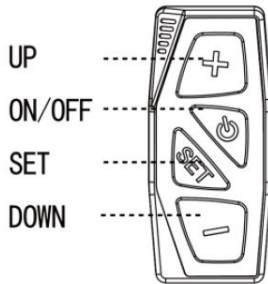
LED DISPLAY C600 AND CONTROL PANEL



- 8. PAS level selection
- 9. Error code indicator
- 10. SET operation

- 4. Speed display
- 5. KM/H & MPH
- 6. Backlight indicator
- 7. 6KM/H work

- 3. Riding mode selection



- 11. Distance indicator
 - 11.1 Total distance (ODO)
 - 11.2 Trip 1
 - 11.3 Trip 2
 - 11.4 Remaining distance (to GO)
- 12. Trip time indicator

- 13. Battery indicator
 - 13.1 Battery residual capacity indicator
 - 13.2 Battery voltage
 - 13.3 Battery capacity percentage
 - 13.4 Battery charging and discharging times
- 14. Cable definition
- 15. Auto sleep after 5 minutes

QUICK START - RIDING THE BIKE

Before riding the bike, check the battery capacity.

Press the button on top of the battery.

The 4 LEDs on the battery below the button show the battery charge level.

Turn on the C600 display by pressing down the ON button on the handlebar keypad.

Select the level of assist from 1- 5. Default is 0 (no assist).

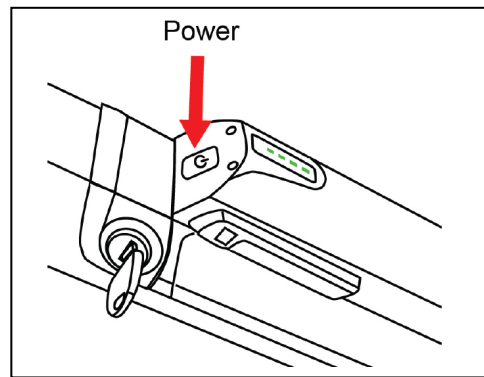
You can hold down the SET button for 3 seconds to select/change POWER, STANDARD or ECO riding mode. Hold down SET to return.

Start pedalling or use the hand throttle to start the motor

Select the appropriate gear

Pulling on the Rear brake will stop the motor immediately

For optimum battery life, try to avoid riding the ebike until the battery is completely flat. Turn off the Power Assist as soon as you notice the battery has lost power and pedal the bike home, and charge the battery as soon as possible.



NORMAL OPERATION

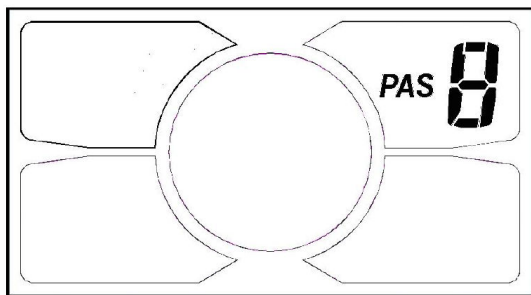
ON / OFF

Push ON/OFF to start the display. The display will provide power to the controller. Push ON/OFF again to operate the backlight. With the display on, press ON/OFF for 3 seconds to turn the power OFF.

The panel will go to sleep when the speed is 0 Km/h for 5 minutes

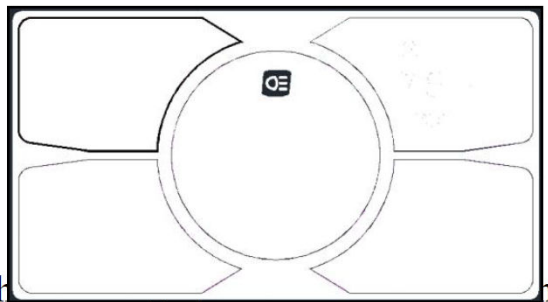
PAS LEVEL SELECTION

Click UP and DOWN to change the PAS level of assistance from 1 - 5. Default is level 0. (No Assist)



HEAD LIGHT / REAR LIGHT AND BACKLIGHT DISPLAY INDICATOR

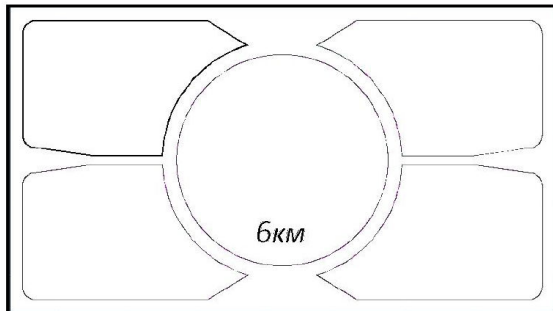
With the display ON, click the ON/OFF button to turn on the head, tail lights and backlight of the display. Click it again to turn OFF.



6KM/H PUSH MODE

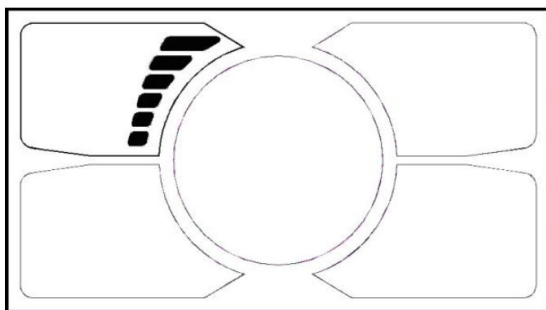
This mode is handy when pushing your HIKO bike uphill.

Hold the DOWN button for 2 seconds to get into 6KM/H PAS mode, and keep the button pressed.
Release the button to stop 6KM/H mode.



CURRENT DISPLAY

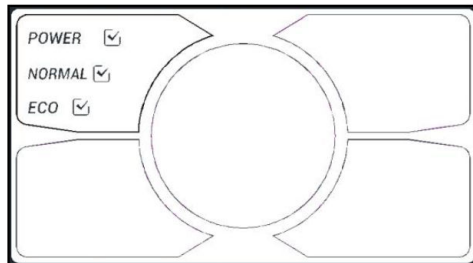
This represents the amount of current used by the motor. Each segment about 2A.



SET MENU OPERATION

Hold the SET button for 2 seconds and enter the setting interface. Number 0 is displayed, and the display will flash. Click the SET to cycle from 0 to 4. Press UP or DOWN to select the desired parameter, and hold the SET for 1 second to exit.

SET 0 – RIDING MODE SELECTION



There are three modes:

POWER – fast acceleration and response, drawing maximum battery usage

NORMAL – normal acceleration

ECO – Economic acceleration, ideal for minimum battery usage

SET 1 – RESET TRIP 1 DISTANCE

Click the DOWN button to reset trip 1, TRIP1 icon will flash and the trip will be cleared.

SET 2 – MAX SPEED SETTING

Enter this

model to adjust MAX SPEED between 20 – 40KM/H.

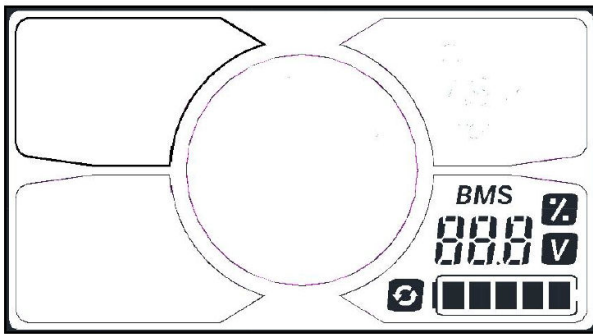
SET 3 – WHEEL DIAMETER SETTING

Do not adjust this setting as it affects speed and distance (Default 26")

SET 4 – KM/H or MPH

Use this setting to select from either KM/H and KM or MPH and Miles

BATTERY CAPACITY INDICATOR



The battery indicator has 5 segments each representing 20% battery capacity. When the battery is full the 5 segments all light up.



When the battery is severely low the last segment will flash. It is recommended to charge the battery immediately. It is not recommended to discharge the battery completely while riding as this can decrease the overall life of the battery.



Low battery flash

BMS - BATTERY VOLTAGE

Displays the current voltage of the battery

ERROR CODES

Error code	Definition	Trouble Shooting
0	Normal	
1	Current error or Controller damage	Check Controller
2	Throttle error	Check Throttle
3	Motor No Phase position	Check Motor
4	Hall sensor error	Check Motor
5	Brake Error	Check Brakes
6	Under Voltage	Check Battery
7	Motor Stalling	Check Battery / Motor
8	Communication error from controller	Check Controller Connections
9	Communication error from display	Check Display Connections

MAINTENANCE AND STORAGE

Maintain an ebike like any other bicycle.

1. Oil the chain frequently, but using special bicycle lubricant (dry or wet). Apply the lube oil on the chain by turning the pedals and dripping the lube oil on the chain as it moves past, and spin for a few turns. After applying the lube oil it is important to clean off excess lube oil with a cloth. This removes old dirt that the new lube has dislodged. It is easiest to do this on the bike stand or bike carrier, with the wheels suspended off the ground.
2. Keep tires pressures within the tyre recommendations; see tyres for max PSI inflation. Normally 35-60psi gives a hard tyre pressure for efficient peddling and battery consumption.
3. Check brake disc pads for even wear patterns. If the brakes become noisy when applied, take to a service bike shop to check to see if they need replacement.
4. Store your ebike in a dry place and away from corrosive environments.

WARRANTY

All HIKO bike's and accessories are covered by warranty for 12 months from date of purchase.

Additionally the Battery and motor are covered by warranty for 2 years from date of purchase.

Frames are covered by warranty for 5 years from date of purchase.

Warranty work should only be carried out by authorised HIKO bike agents, and does not cover the any transport costs.

The warranty does not cover normal wear on parts, or parts that have been damaged through improper used or lack of maintenance.

CONTACT

New Zealand www.hikobike.co.nz

Switzerland www.hikobike.ch

England / UK www.hikobike.co.uk

Spain www.hikobike.es